



Quench 578 Pre-Installation Requirements Checklist

Thank you for being a Quench customer! We are excited for your workplace to experience the great-tasting sparkling water from your new Quench 578. Before our certified technician can install your machine, the following pre-installation requirements must be completed.

Water Supply & Shut Off

- 1/2" potable cold water supply line terminating in 1/2" ball valve with 1/2" female pipe thread to connect to (ball valve must be accessible for service and installation)
- Minimum water supply pressure 50 PSI, 1.3 gallon per minute minimum flowrate
 - Must be a dedicated 1/2" water supply line with no other connections Any water line or valve less than 1/2" is not acceptable
- Water ball valve must be located at low level with sufficient room for a 12" long fitting to be connected to the ball valve

Electrical

- Dedicated 120 VAC/60Hz/15 amp (NEMA 5-15 receptacle) electrical circuit (for carbonator)
- Dedicated 120 VAC/60Hz/20 amp (NEMA 5-20 receptacle) electrical circuit (for water heater)
- Electrical connections within 40" of machine location; **NO EXTENSION CORDS**

Countertop Holes & Drain Line

- 1-1/4" diameter hole for the tap; 1-1/4" diameter hole for the drain hole;
- Two 3/16" diameter holes for mounting; **please see attached CAD drawings for placement and spacing of holes in countertop**
 - Quench technicians are only permitted to drill up to 1-1/2" diameter holes through laminate or Corian counters. Any other surface or hole size must be pre-drilled prior to install
- Customer needs to supply a rigid vertical pipe that drains to a properly trapped drain according to local codes. The vertical pipe for the drip tray drain must be located inside the installation cabinet and must be at least 1 1/4" ID.

Machine Placement & Ventilation

- The chiller/carbonator must be installed in the cabinet directly below or directly adjacent to the tap head.
- If installed in an enclosed space, adequate ventilation must be provided. **Please see attached CAD drawings for ventilation requirements.**

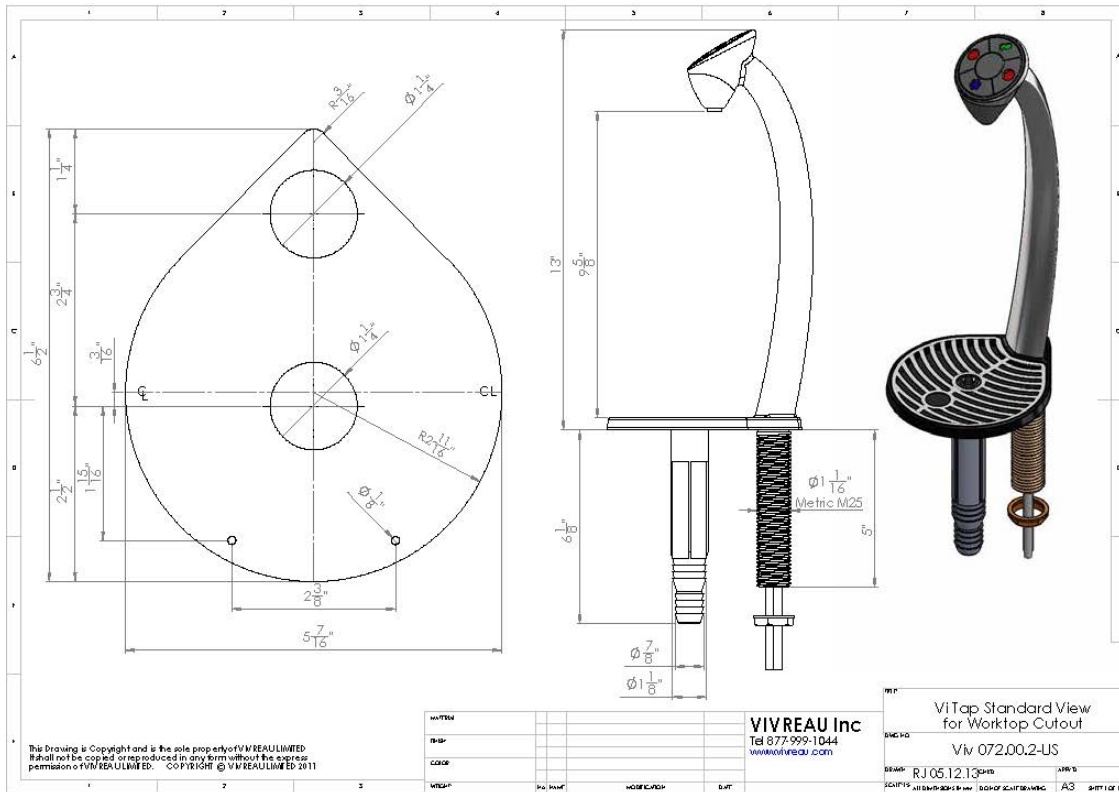
CO₂ Supply

- Full CO₂ cylinder must be on-site be installation
 - 5 lb., 10 lb., or 20 lb. tank. Quench recommends using the largest tank that will fit in the cabinet.
 - If connecting to a bulk or existing CO₂ system, a CO₂ line terminating at a 1/4" barbed shutoff valve must be available within 40" of the installation site
 - Minimum CO₂ pressure is 100 PSI

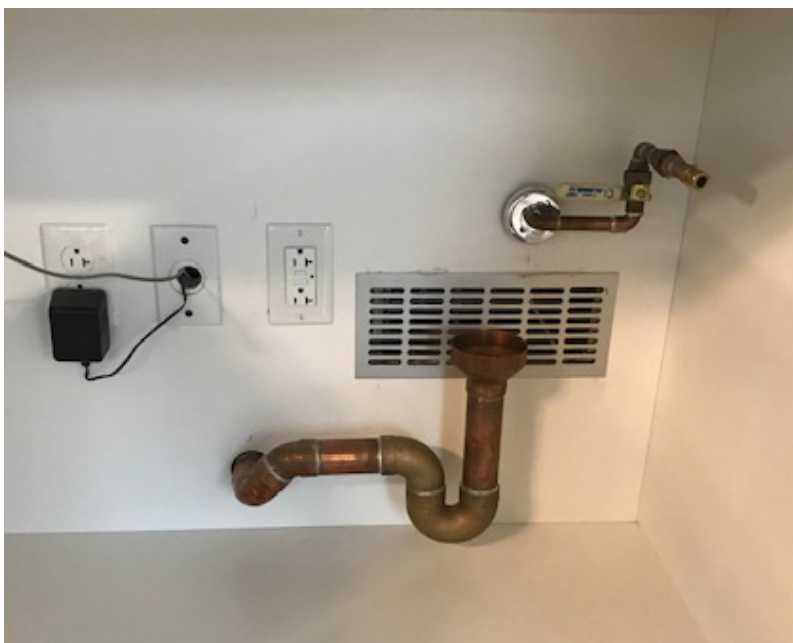
If you have any questions about the installation, call Customer Care at 888-554-2782



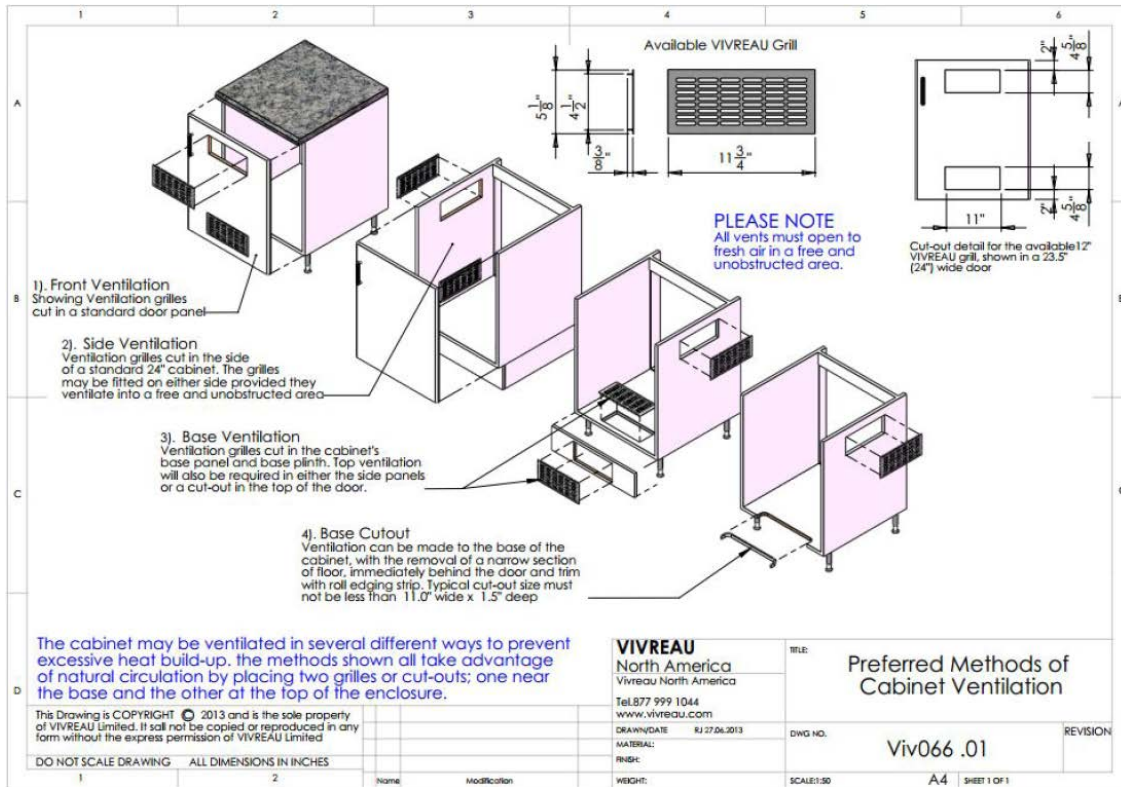
Tap Countertop Placement CAD Drawing



Drain Line Placement Illustration



Ventilation Placement CAD Drawing



Installation CAD Drawing

