

Quench 580

High-Capacity Sparkling Water Dispenser

- Chilled sparkling water with the touch of a button
- Refreshing filtered cold and hot water
- Innovative electronic dispensing with stainless steel buttons
- Ice bank cooling technology for high volume demand



water up





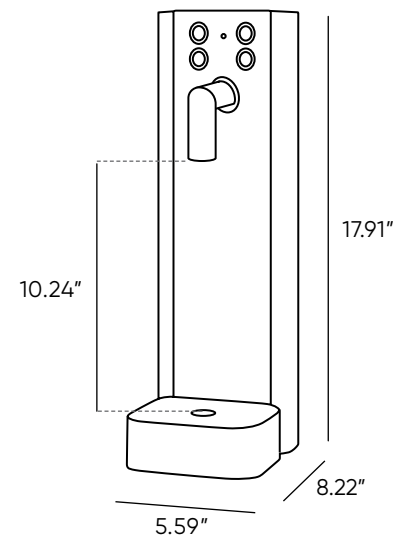
Quench 580

Elevate your level of hydration with the Quench 580 sparkling water dispenser! The Quench 580 features a stylish counter mounted single-point faucet with large dispensing area, perfect for bottle or carafe filling, and offers cold, hot, and chilled sparkling water on-demand. The Quench 580 uses ice bank cooling technology to provide a high volume of filtered still and sparkling water, perfect for executive areas, and VIP lounges.



Undercounter Sparkling Water Dispenser

- Compact undercounter chiller with stylish counter mounted single-point dispensing outlet and drip tray
- Cold, hot, and chilled sparkling water on-demand
- Splash-less drip tray
- Stainless steel button dispensing with hot water safety feature
- Ice bank cooling technology to provide a high volume of filtered still and sparkling water
- Dispensing height of 10.24", perfect for carafes or bottles
- Stainless steel and blue tempered glass construction
- Requires undercounter space and access with ventilation



Specifications

Dimensions	
Above Counter	17.91" H x 5.59" W x 8.22" D
Undercounter	18.4" H x 12.5" W x 13.2" D
Above Counter Weight	17.63 lbs.
Undercounter weight	48.5 lbs.
Water Options	Cold, hot, and chilled sparkling water
Cooling Capacity	16 gal/hr
Recommended Water Pressure	14.5 – 51 psi
Rated Voltages/Frequency	115V/ 60Hz
Power Consumption	5.25 amps
Model	Quench 580

Quench products are certified by independent authorized 3rd party laboratories in accordance of appropriate industry standards. To find out more about which certification your product may have, please contact us.

